



Suspended lighting system made of PROFILUMI 40 with integrated linear LED luminaires and track system adapted for mounting track spots or other direct and direct / indirect luminaires. System can be made to measure according to project requirements.

Mounting:	Suspended, suspension wires included
Body material:	Aluminium profile
Colour:	Standard Black 9005, other RAL colours on request (please add RAL code after index number)
LED module:	Signify (Philips), Osram, Tridonic or equivalent LED module included
Colour temperature:	3000K or 4000K, other on request
Colour Rendering Index (CRI)	>80 in standard, other on request
Driver:	Electronic driver in standard, DALI on request
Emergency unit:	Standard or DALI, 3 hour emergency unit on request
Movement sensor:	on request
Daylight control sensor:	on request
Operating temperature range:	0°C ... +40°C
IP Class:	IP20
Power:	220-240V 50/60Hz
Lighting direction:	Direct, direct / indirect on request
Light distribution:	Symmetric
Diffuser:	[WD] white opalic in standard, Microprismatic [MPR] on request
General data:	5 Years standard warranty



BESPOKE SIZE & PRODUCT FEATURES AVAILABLE

[WD] diffuser



[MPR] diffuser



Accessories



7601.15



6564.15



7603.15

UGR <19 diffuser on request

Different lumen output or wattage available on request

All other technical features such as: Luminaire Efficiency, LOR, Lumen maintenance L/B etc. available in our pricelist

Wattage of products may vary due to constant LED efficiency improvements. Luminous flux & Luminaire Power tolerance +/- 10%.

System power consumption (LED module & driver) depends on components used

Efficiency depends on type of LED's, electronics, optics and diffuser and may differ from shown in our data pages. Most up to date information can be found in our lighting data file database.

Index no. Steel wire suspension

7601.15	single 1,5 m long suspension set for PROFILUMI luminaire
6564.15	1,5 m long 3 core transparent power cable with ceiling base and terminal block
7603.15	1,5 m long 5 core transparent power cable with ceiling base and terminal block
8002	linear connector for PROFILUMI 40
8000	3 pole Wieland quick connectors
8001	5 pole Wieland quick connectors



LUMI SPOT S



LUMI SPOT M



LUMI SPOT L



PLAFO 500 LUMI



PLAFO 500 LUMI UP/DN



DLN 80 LUMI



Wieland quick connectors for lighting systems



Steel wire suspension - 1,5m in standard



Direct / indirect version with [WD] diffuser

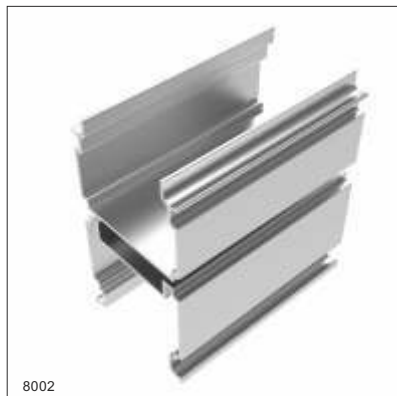


Wieland quick connectors for lighting systems



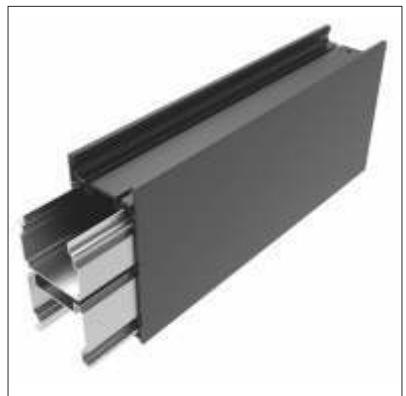
8000/8001

linear connector for PROF1 40

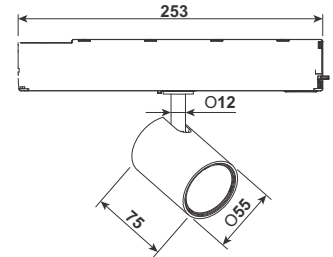


8002

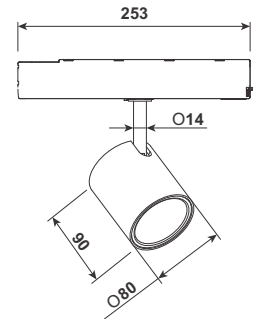
linear connector in PROF1 40



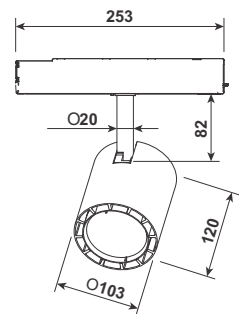
LUMI SPOT S



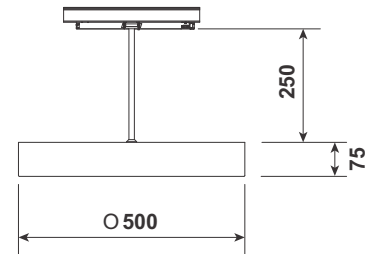
LUMI SPOT M



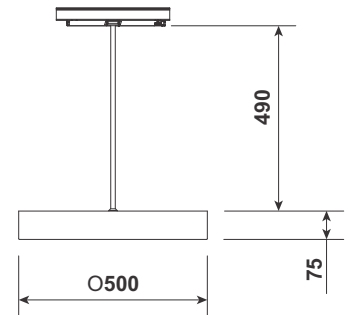
LUMI SPOT L



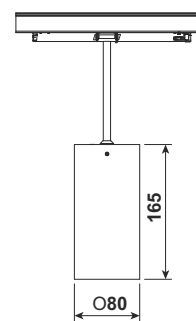
PLAFO 500 LUMI



PLAFO 500 LUMI UP/DN



DLN 80 LUMI



Index no.	Net lumen output [lm]	Gross lumen output [lm]	Efficacy [lm/W]	Power [W]	Colour temp. [K]	CRI	Lifetime [H]	MacAdam [SDCM]	Length [mm]	Weight [kg]
PROFI 40 LUMI SYSTEM LINEAR LUMINAIRE										
7325.5500/830	3800	5500	109	35	3000	Ra > 80	50.000	3	2200	5,00
7325.5500/840	3800	5500	109	35	4000	Ra > 80	50.000	3	2200	5,00
PROFI 40 LUMI SYSTEM INCLUDING 3 PHASE TRACK										
8052.2200									2200	5,00
PROFI 40 LUMI SYSTEM INCLUDING DALI TRACK										
8053.2200									2200	5,00
LUMI SYSTEM CORNER CONNECTOR 150x150										
7577									150x150	1,00
LUMI SYSTEM LINEAR CONNECTOR 200										
7579									200	0,90
LUMI SYSTEM T-CONNECTOR 260x110										
7578									260x110	1,50
LUMI SPOT S										
7322.1100/830	950	1100	136	7	3000	Ra > 80	50.000	3	-	0,20
7322.1100/840	950	1100	136	7	4000	Ra > 80	50.000	3	-	0,20
7322.1700/830	1400	1700	117	12	3000	Ra > 80	50.000	3	-	0,20
7322.1700/840	1400	1700	117	12	4000	Ra > 80	50.000	3	-	0,20
LUMI SPOT M										
7323.1700/830	1400	1700	117	12	3000	Ra > 80	50.000	3	-	0,40
7323.1700/840	1400	1700	117	12	4000	Ra > 80	50.000	3	-	0,40
7323.2300/830	2300	2600	115	20	3000	Ra > 80	50.000	3	-	0,40
7323.2300/840	2300	2600	115	20	4000	Ra > 80	50.000	3	-	0,40
LUMI SPOT L										
7324.2600/830	1900	2600	95	20	3000	Ra > 80	50.000	3	-	0,55
7324.2600/840	1900	2600	95	20	4000	Ra > 80	50.000	3	-	0,55
7324.3300/830	2400	3300	92	26	3000	Ra > 80	50.000	3	-	0,55
7324.3300/840	2400	3300	92	26	4000	Ra > 80	50.000	3	-	0,55
7324.4500/830	2950	4500	89	33	3000	Ra > 80	50.000	3	-	0,55
7324.4500/840	2950	4500	89	33	4000	Ra > 80	50.000	3	-	0,55
PLAFO 500 LUMI										
7326.4200/830	3600	4200	124	29	3000	Ra > 80	50.000	3	-	4,50
7326.4200/840	3600	4200	124	29	4000	Ra > 80	50.000	3	-	4,50
PLAFO 500 LUMI UP/DN										
7326.UD.4500/830	3800	4500	112	34	3000	Ra > 80	50.000	3	-	4,50
7326.UD.4500/840	3800	4500	112	34	4000	Ra > 80	50.000	3	-	4,50
DLN 80 LUMI										
7336.1200/830	950	1200	136	7	3000	Ra > 80	50.000	3	-	0,55
7336.1200/840	950	1200	136	7	4000	Ra > 80	50.000	3	-	0,55
7336.2200/830	1800	2200	113	16	3000	Ra > 80	50.000	3	-	0,55
7336.2200/840	1800	2200	113	16	4000	Ra > 80	50.000	3	-	0,55